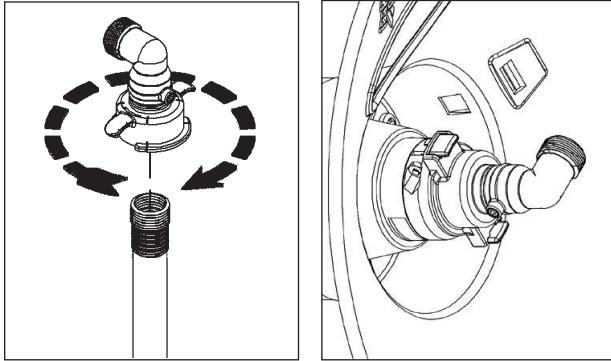
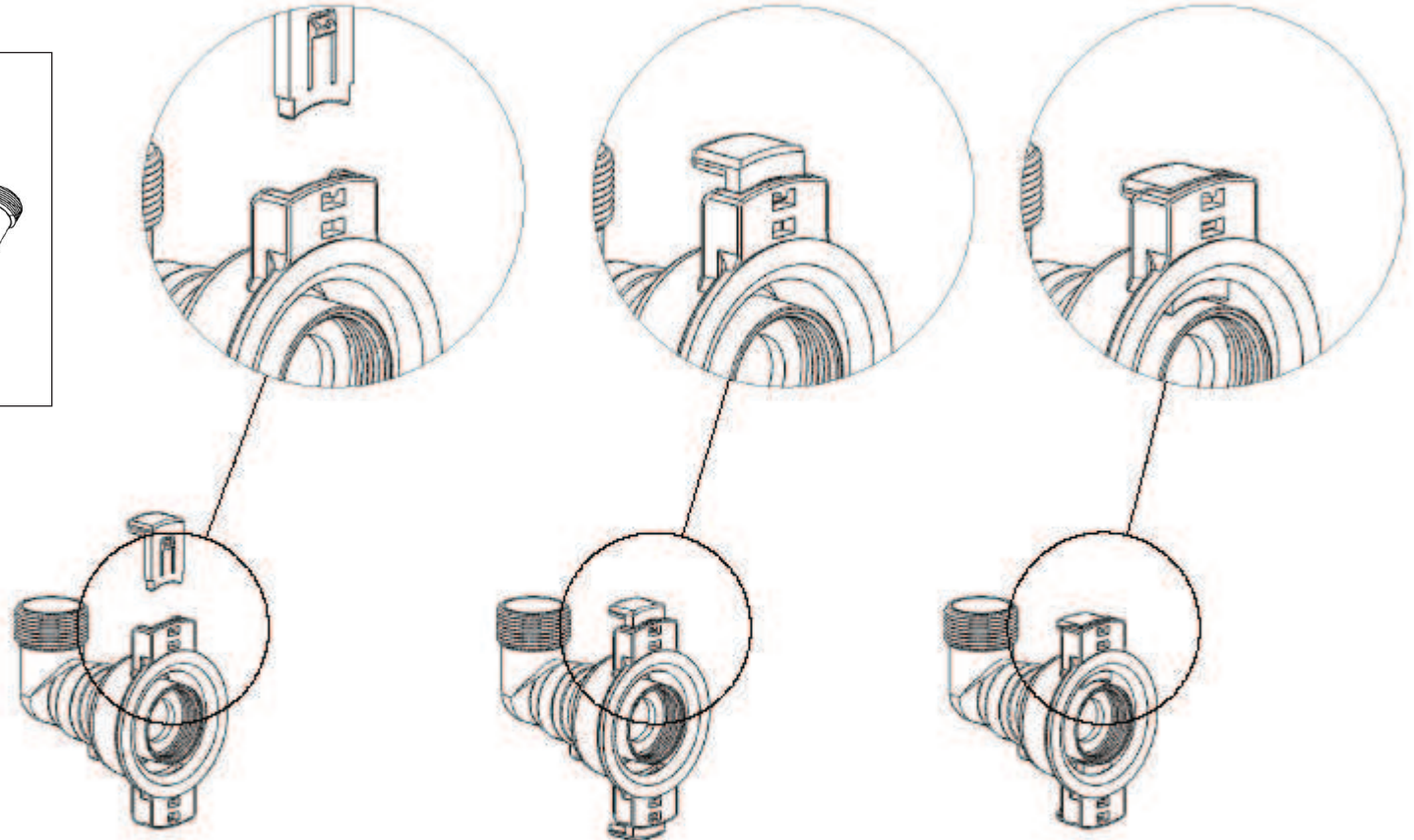


Installing Replacement Tabs on the Rapid Reel TRITON Garden Hose Reel Swivels.



Step 1 - If you removed the swivel from the inlet hose, tighten it back onto the inlet hose and then slide the swivel onto the reel's axle...being sure to align the tab slots with the notches in the axle.



Step 2
Align new tab with slot in the swivel housing as shown above. There is no left or right tab. All tabs are exactly the same.

Step 3
Push the tabs into the slots until the stub on the tab engages the first notch in the slot. You will hear a "click". This is the stop position for when you want to disengage the swivel from the reel.

Step 4
Once the swivel is aligned with the axle notches, push the tabs all the way in. You should hear a 2nd "click". You're done.